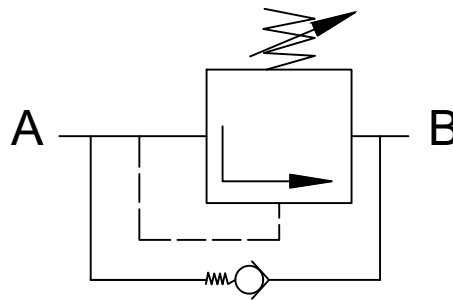


Description

Counter Balance Valve CBS*T are seat type valves. They offer free flow from port A to port B and give leak free closure in opposite direction upto a predetermined cracking pressure. The predetermined cracking pressure can be adjusted within its maximum specified range.

Hydraulic Symbol

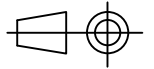


Technical Specification

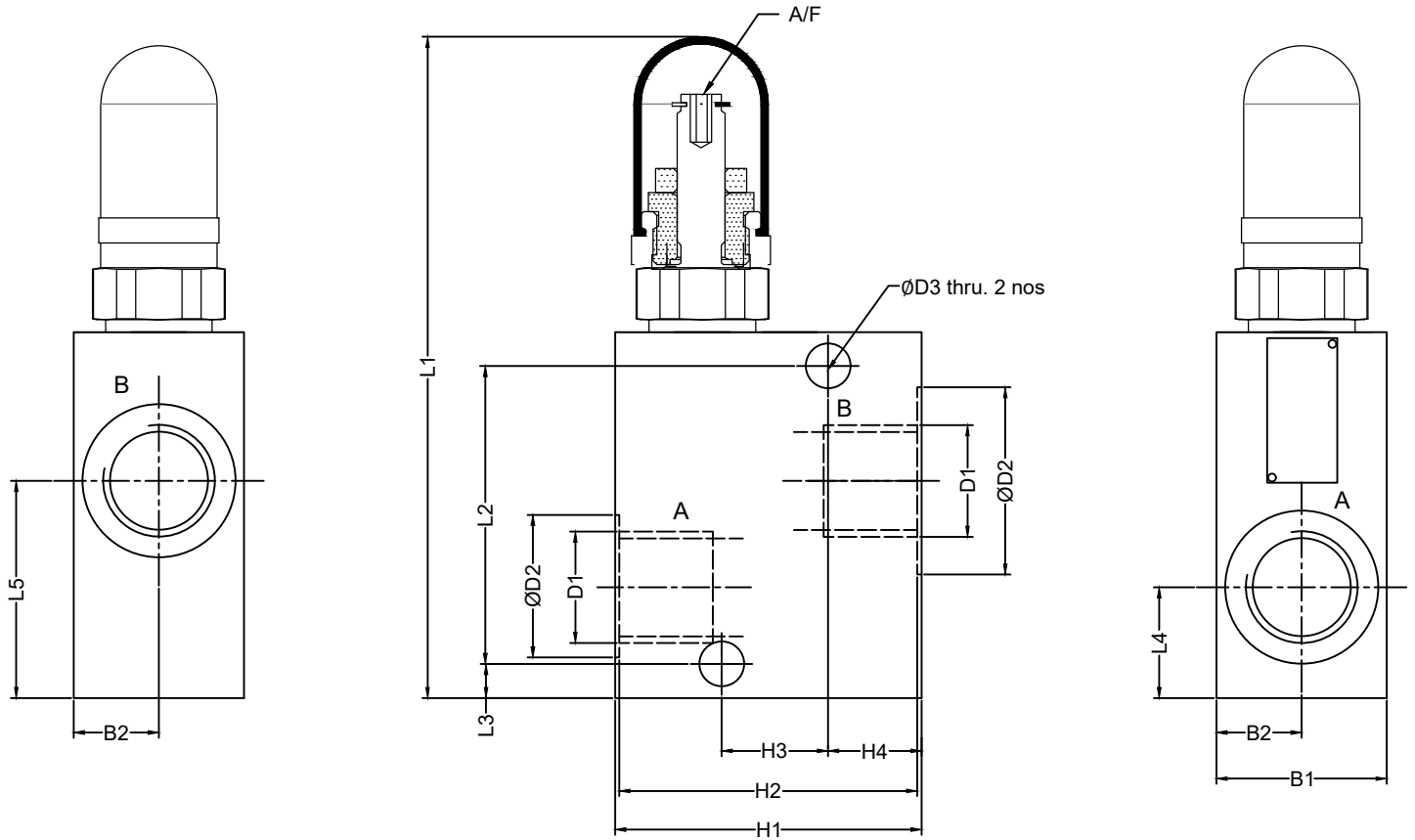
Design	:	Direct acting, Seat type Internally pilot operated.
Mounting interface	:	Threaded Port Body
Flow direction	:	Free flow from B to A Piloted flow in opposite direction
Cracking Pressure	:	Refer Ordering code.
Working Pressure	:	315 bar for all ports
Max flow capacity	:	CBS10T - 30 l/min, CBS20T - 115 l/min
Hydraulic medium	:	Mineral oil
Viscosity range	:	10 cSt to 100 cSt
Temperature range	:	-20°C to +80°C
Fluid cleanliness req.	:	ISO 4406 20/18/15 or better
Mass approx	:	CBS10T - 1.5 kg, CBS20T - 4 kg

Unit Dimension

Dimensions in mm

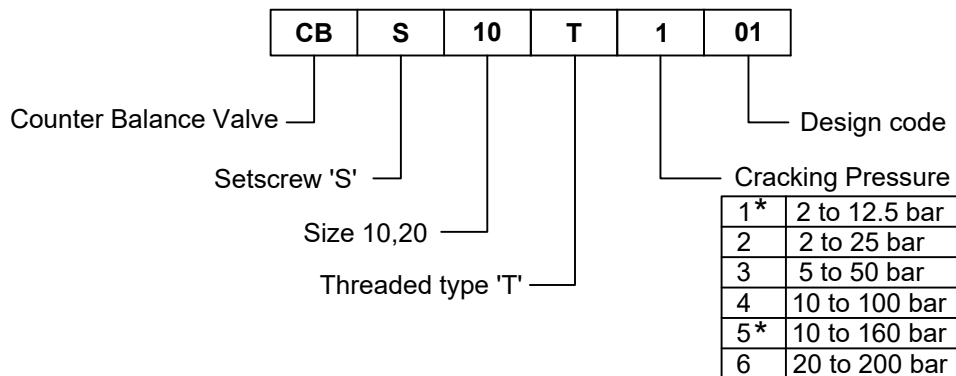


Model : CBS*T



Size	L1	L2	L3	L4	L5	B1	B2	H1	H2	H3	H4	ØD1	ØD2	ØD3	A/F
10	154	70	8	26	51	40	20	72	68	25	22	G1/2	30	9	4
20	226	110	11	41	86	60	30	100	96	50	23	G1	44	11	5

Ordering Code



Note : Cracking pressure marked with are * not available in valve size 20